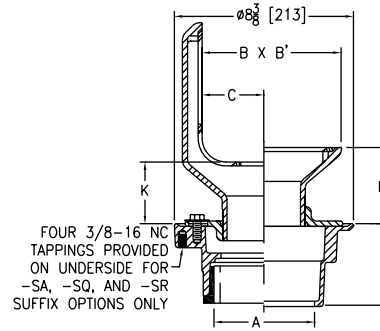


Z415 BODY ASSEMBLY WITH "TYPE K" STRAINER



ENGINEERING SPECIFICATION

Zurn ZN415K floor and shower drain features Dura-Coated cast iron body with bottom outlet, combination invertible membrane clamp and adjustable collar with seepage slots, and TYPE K polished, nickel bronze, angular, light-duty strainer.



Strainer Designation	Dimensions in inches [mm]							Str. Open Area sq in [cm ²]	Approximate Weight lb [kg]
	A Pipe Size	B x B'	C	K		K'			
				Min.	Max.	Min.	Max.		
-5K	2 [51], 3 [76], 4 [102]	3-3/4 [95] x 5 [127]	1-7/32 [31]	1 [25]	2 [51]	1-3/4 [44]	2-3/4 [70]	11 [71]	18 [8]
-7K		6-5/8 [143] x 7 [178]	2-15/16 [75]	2-3/16 [56]	3-3/8 [86]	2-7/8 [73]	4-1/8 [105]	29 [187]	25 [11]

PREFIXES	DESCRIPTION	STRAINER DESIG.	PIPE SIZE	LIST PRICE
ZN415*	D.C.C.I. Body Assembly with Polished Nickel Bronze Top	-5K	2", 3", 4"	1,953.00
		-7K	2", 3", 4"	2,441.00
ZB415	D.C.C.I. Body Assembly with Polished Bronze Top	-5K	2", 3", 4"	1,803.00
		-7K	2", 3", 4"	2,252.00
Z415	D.C.C.I. Body Assembly ONLY (add "-L/Top" to product sku)	No Strainer	2", 3", 4"	194.00

OUTLETS (SPECIFY PIPE SIZE IN INCHES AND TYPE OF OUTLET)				
OUTLET TYPE		PIPE SIZE/ OUTLET TYPE	E BODY HT. DIM.	ADD
IP	Threaded	2IP	2-7/16"	80.00
		3IP	2-3/4"	80.00
		4IP	2-13/16"	80.00
NH	No-Hub	2NH, 3NH, 4NH	3-13/16"	N/C
NL	Neo-Loc	2NL, 3NL, 4NL	3-7/8"	N/C

SUFFIXES		ADD
-AR	Acid Resisting Epoxy Coated Cast Iron	171.00
-G	Galvanized Cast Iron	198.00
-P	Trap Primer Connection (1/2"*)	N/C
Ⓞ -SA	Stabilizer Assembly (See Z1035)	138.00
Ⓞ -SQ	Stabilizer Q-Deck (See Z1035-Q)	184.00
Ⓞ -SR	Stabilizer Ring (See Z400-SR)	121.00
Ⓞ -TC	Neo-Loc Test Cap Gasket (2", 3", 4" NL Bottom Outlet Only)	24.00
-U	1"-3" High Extension Adapter (See Z400-U)	D.C. 140.00
		Galv. 306.00
	For each additional 1" above 3"	98.00
-V	Backwater Valve (Not Available with -Y)	380.00
-VP	Vandal-Proof Secured Top	58.00
-Y	Sediment Bucket (Not Available with -V)	109.00
-90	90° Threaded Side Outlet Body Assembly (2" and 3" Only)	219.00
BEST SELLER		LIST PRICE
ZN415-3NL-5K-P-VP		2,011.00

Supplied By:



877-903-7246

www.commercialplumbingsupply.com